



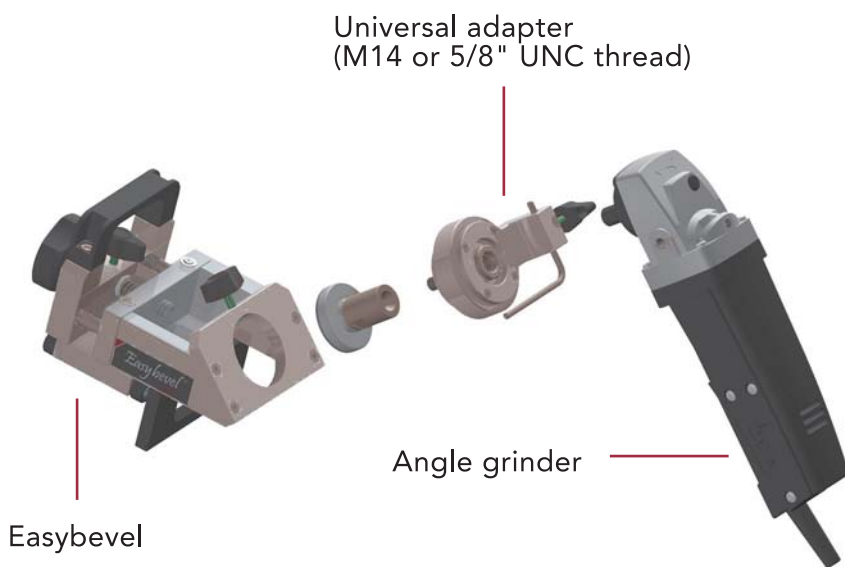
# easybevel

grinder device

**Transforms your angle grinder into an unerrable beveling machine!**



Simple, functional, fast, smooth gliding: Easybevel allows you to bevel any kind of material with the highest precision



How to predispose Easybevel on your angle grinder

Achievable bevel from 0,1 to 10 mm x 45°

**easybevel**  
grinder device

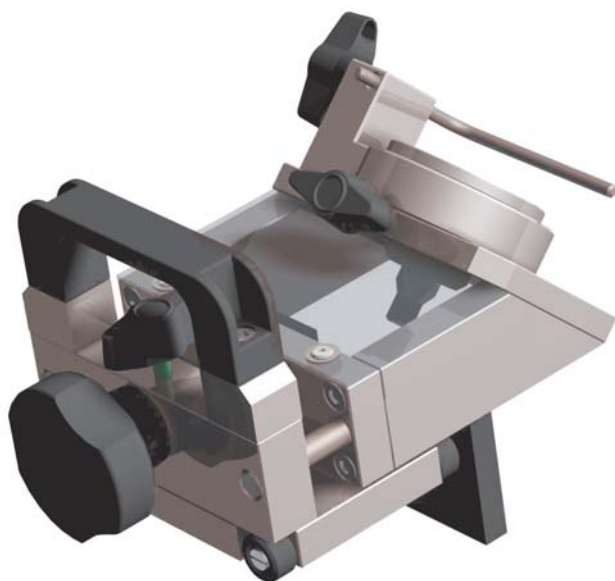


**Structure:** wrought and sandblasted aluminium

**Guides:** stainless steel

Slidings and front guide in unscratchable PVC

Micrometric adjustment of the tool depth



Dimensions Easybevel: 120 x 185 x 150 mm

Weight (without angle grinder): 1.6 kg

Dimensions adapter: 72 x 120 x 75 mm

Weight: 0,5 kg

**TOOLS**<sup>®</sup>

Different abrasive grits, which allow to achieve a good polish, are available upon request



All the illustrations are purely indicative. The hereby enclosed data can be modified by the manufacturer at his discretion and without any notice.