

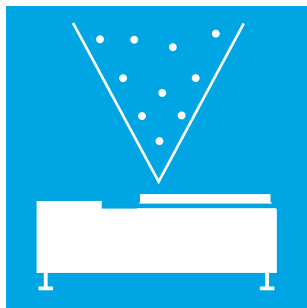


**GHINES**<sub>srl</sub> | machines, tools and equipments for marble shops

[www.ghines.com](http://www.ghines.com)



# BlueLine



## Centralized and personalized Suction Installations



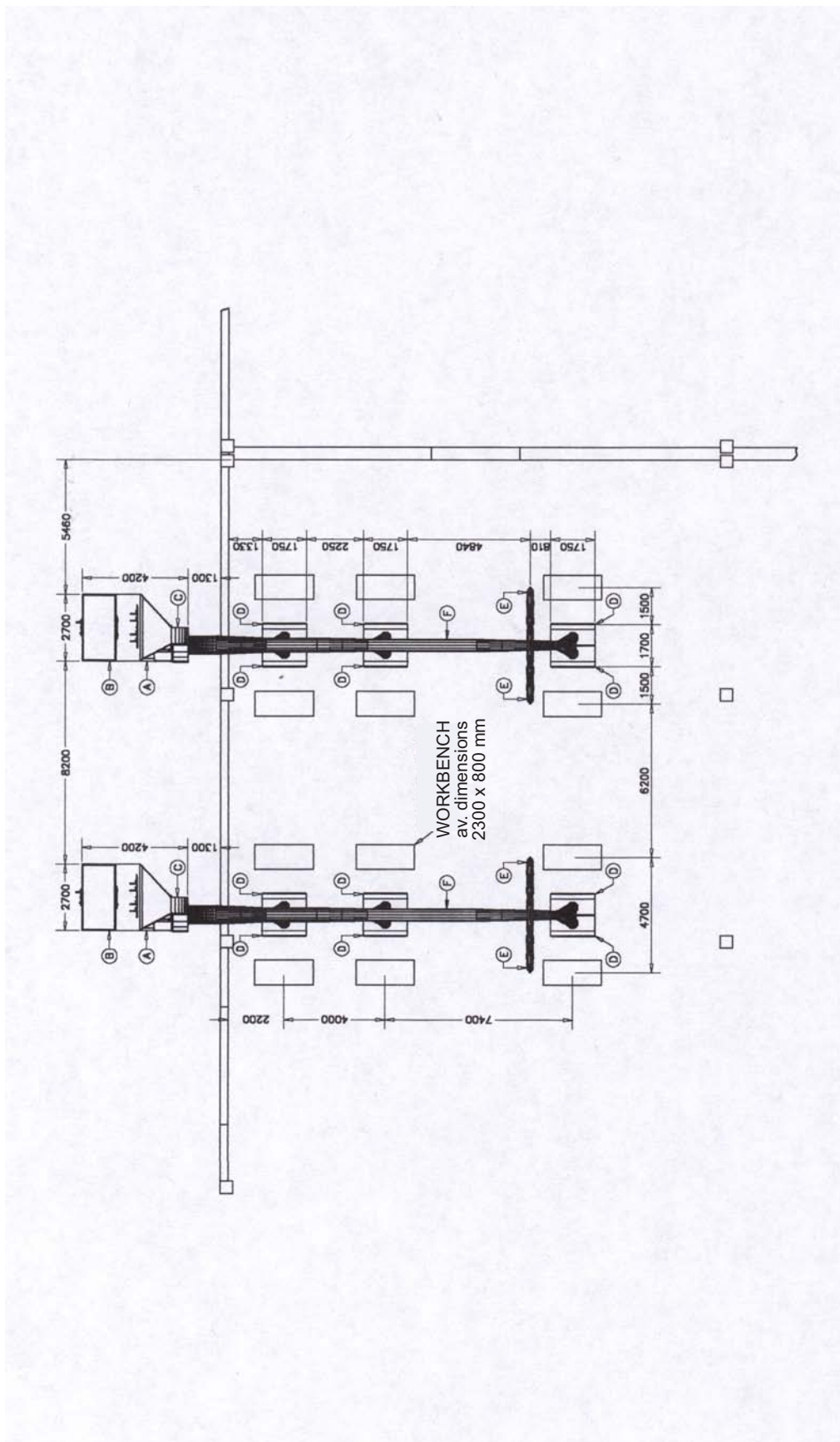
Sede legale e uffici:  
via Ca' Torsani 1 - P.O. Box 456  
47900 RIMINI (Italy)

Stabilimento produttivo:  
via Mirandola 24  
47900 RIMINI (Italy)

tel. (+39) 0541751080  
fax (+39) 0541751074  
[www.ghines.com](http://www.ghines.com)  
[info@ghines.com](mailto:info@ghines.com)

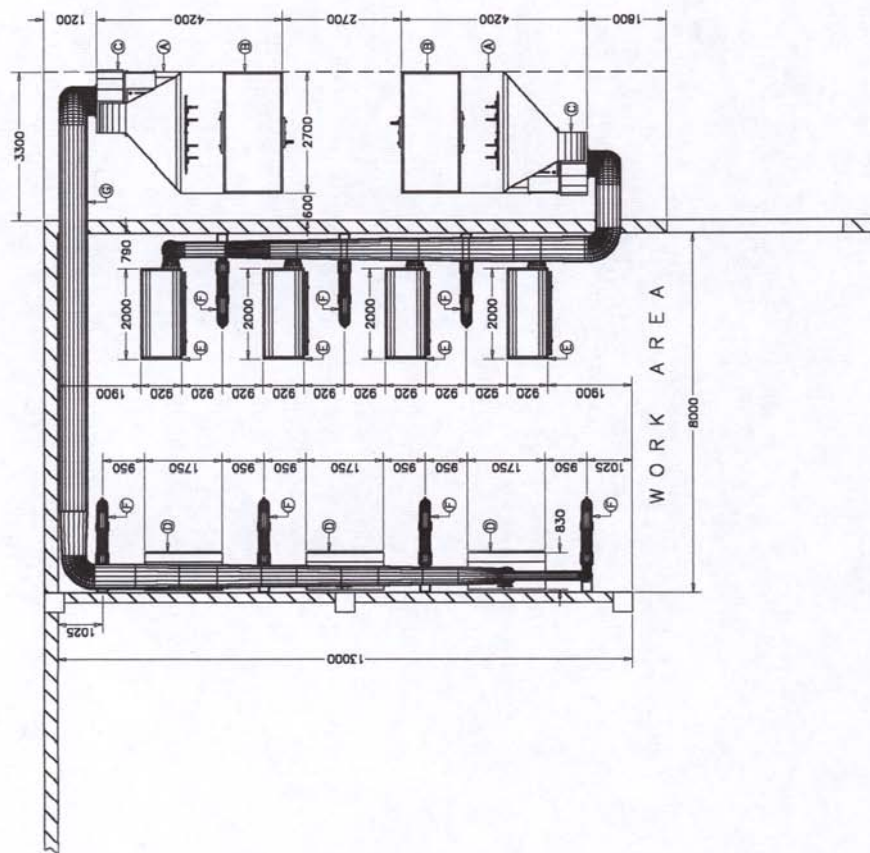
Iscr. Registro delle Imprese Rimini n. cod. fisc. 01885460400  
R.E.A. Rimini n. 224689  
Cod. Fisc. e P.IVA IT 01885460400  
Cap. Soc. Euro 99.000 i.v. Import-Export RN001671

# BlueLine

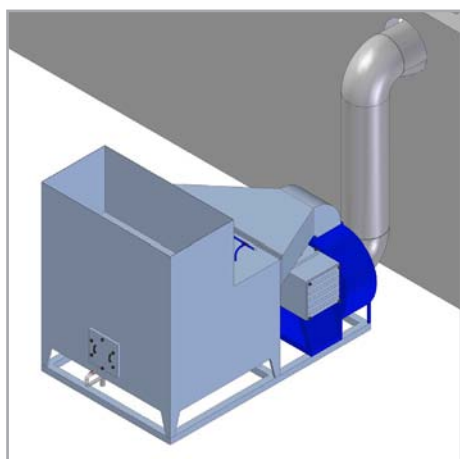
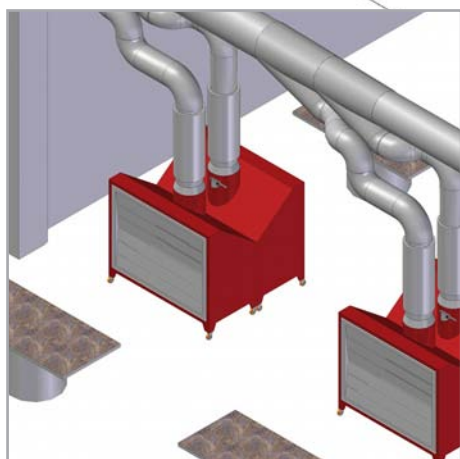
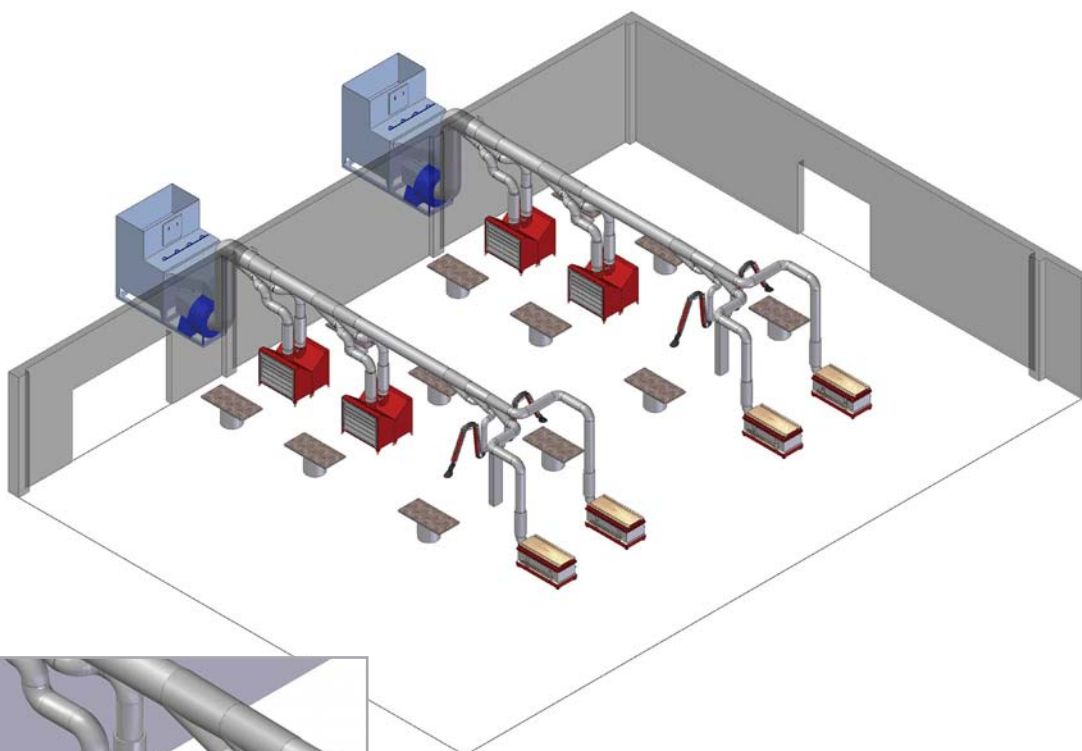




# BlueLine



# BlueLine



# BlueLine



Dust collectors



# BlueLine



# BlueLine



Dust collectors



# BlueLine

## HYDOR - Hydrofilters

|                                | HYDOR 0.5/FS | HYDOR 1.0/FS | HYDOR 1.5/FS | HYDOR 2.0/FS |
|--------------------------------|--------------|--------------|--------------|--------------|
| LENGTH (mm)                    | 3900         | 4000         | 4150         | 4200         |
| WIDTH (mm)                     | 840          | 1400         | 2050         | 2700         |
| HEIGHT (mm)                    | 2950         | 3420         | 3420         | 3420         |
| EMPTY WEIGHT (kg)              | 645          | 1055         | 1525         | 1985         |
| TOTAL WEIGHT (kg)              | 1195         | 2025         | 2995         | 3845         |
| EXTRACTION (m <sup>3</sup> /h) | 6800         | 13700        | 20600        | 27500        |

## SPIRO - Suction benches

|             | SPIRO/CA | SPIRO/SA |
|-------------|----------|----------|
| LENGTH (mm) | 2360     | 2000     |
| WIDTH (mm)  | 920      | 920      |
| HEIGHT (mm) | 920      | 920      |
| WEIGHT (kg) | 395      | 212      |

## TORA - Suction walls

|             | TORA/CA | TORA/SA |
|-------------|---------|---------|
| LENGTH (mm) | 2400    | 1750    |
| WIDTH (mm)  | 830     | 830     |
| HEIGHT (mm) | 1550    | 1550    |
| WEIGHT (kg) | 375     | 184     |

