

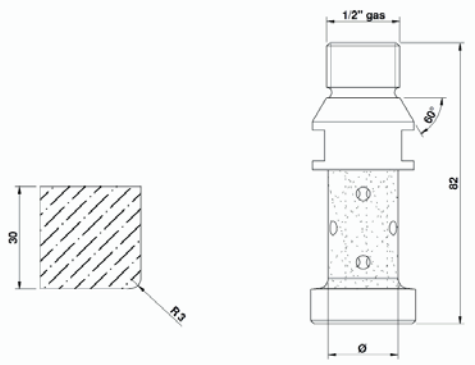
SHAPED TOOLS FOR INSIDE PROFILING WITH CNC MACHINES

WORKING PARAMETERS

POSITION	FUNCTION	FORWARD SPEED mm/min			INCREMENT mm	SPINDLE ROTATION SPEED rpm
		SYNTHETIC	MARBLE	GRANITE		
DIAMOND WHEELS						
pos. 1	Profiling	800-1200	800-1200	800-1200	0,2-0,4	5000-6000
pos. 2	Honing	800-1200	800-1200	800-1200	0,1-0,3	5000-6000
pos. 3	Finishing	800-1200	800-1200	800-1200	0,05-0,1	5000-6000

POSITION	FUNCTION	FORWARD SPEED mm/min			INCREMENT mm	SPINDLE ROTATION SPEED rpm	ADAPTIVE INCREMENT mm/m
		SYNTHETIC	MARBLE	GRANITE			
POLISHING WHEELS							
pos. 4	Pre-polishing	500 - 1000	500 - 1000	500 - 1000	0,3	3500	0,01
pos. 5	Polishing	500 - 1000	500 - 1000	500 - 1000	0,3	3500	0,01
pos. 6	Final buff	500 - 1000	500 - 1000	500 - 1000	0,3	3500	0,01

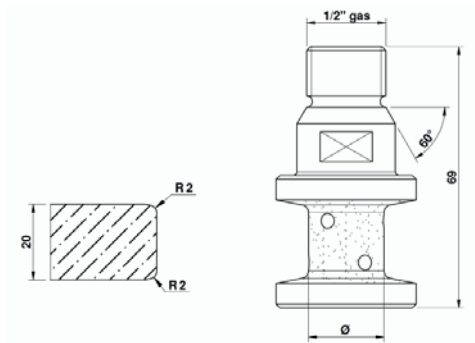
A30 r3



FUNCTION	POSITION	Ø mm	ITEM CODE
Profiling	pos. 1	20	01050357U109
Honing	pos. 2	20	01050357U209
Finishing	pos. 3	20	01050357U309
Pre-polishing	pos. 4	20	0176A30B0069
Polishing	pos. 5	20	0176A30C0069
Final buff	pos. 6	20	0176A30A0069

1/2" GAS M connection. Other supports upon request

T20 r2



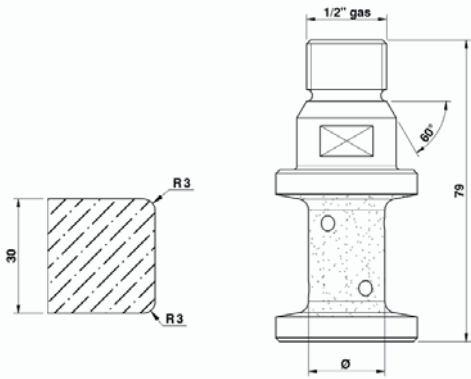
FUNCTION	POSITION	Ø mm	ITEM CODE
Profiling	pos. 1	20	01050326U109
Honing	pos. 2	20	01050326U209
Finishing	pos. 3	20	01050326U309
Pre-polishing	pos. 4	20	0155T20B0029
Polishing	pos. 5	20	0155T20C0029
Final buff	pos. 6	20	0155T20A0029

1/2" GAS M connection. Other supports upon request

ghinesgroup

SHAPED TOOLS FOR INSIDE PROFILING WITH CNC MACHINES

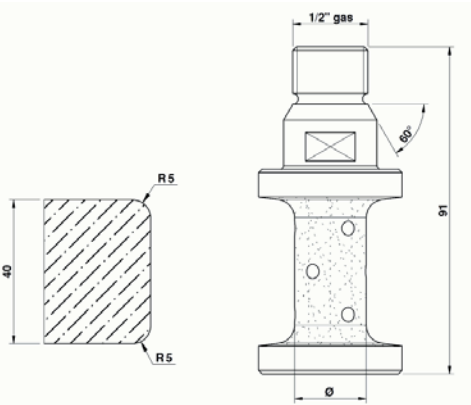
T30 r3



FUNCTION	POSITION	Ø mm	ITEM CODE
Profiling	pos. 1	20	01050327U109
Honing	pos. 2	20	01050327U209
Finishing	pos. 3	20	01050327U309
Pre-polishing	pos. 4	20	0176T30B0019
Polishing	pos. 5	20	0176T30C0019
Final buff	pos. 6	20	0176T30A0019

1/2" GAS M connection. Other supports upon request

T40 r5

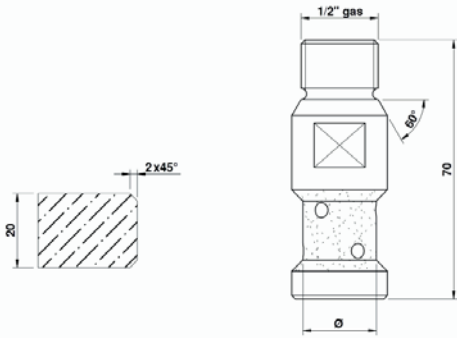


FUNCTION	POSITION	Ø mm	ITEM CODE
Profiling	pos. 1	20	01050330U109
Honing	pos. 2	20	01050330U209
Finishing	pos. 3	20	01050330U309
Pre-polishing	pos. 4	20	0176T40B0009
Polishing	pos. 5	20	0176T40C0009
Final buff	pos. 6	20	0176T40A0009

1/2" GAS M connection. Other supports upon request

SHAPED TOOLS FOR INSIDE PROFILING WITH CNC MACHINES

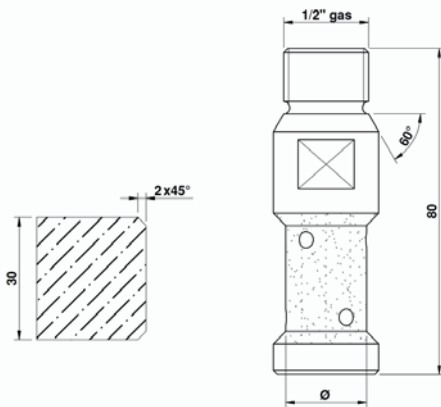
X20



FUNCTION	POSITION	Ø mm	ITEM CODE
Profiling	pos. 1	20	01050314U109
Honing	pos. 2	20	01050314U209
Finishing	pos. 3	20	01050314U309
Pre-polishing	pos. 4	20	0176X20B0009
Polishing	pos. 5	20	0176X20C0009
Final buff	pos. 6	20	0176X20A0009

1/2" GAS M connection. Other supports upon request

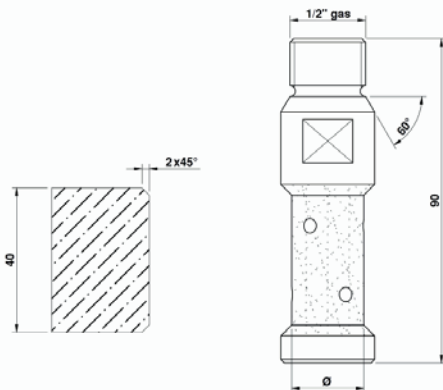
X30



FUNCTION	POSITION	Ø mm	ITEM CODE
Profiling	pos. 1	20	01050320U109
Honing	pos. 2	20	01050320U209
Finishing	pos. 3	20	01050320U309
Pre-polishing	pos. 4	20	0176X30B0009
Polishing	pos. 5	20	0176X30C0009
Final buff	pos. 6	20	0176X30A0009

1/2" GAS M connection. Other supports upon request

X40



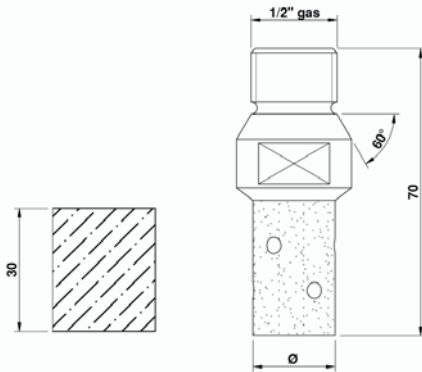
FUNCTION	POSITION	Ø mm	ITEM CODE
Profiling	pos. 1	20	01050329U109
Honing	pos. 2	20	01050329U209
Finishing	pos. 3	20	01050329U309
Pre-polishing	pos. 4	20	0176X40B0009
Polishing	pos. 5	20	0176X40C0009
Final buff	pos. 6	20	0176X40A0009

1/2" GAS M connection. Other supports upon request

ghinesgroup

SHAPED TOOLS FOR INSIDE PROFILING WITH CNC MACHINES

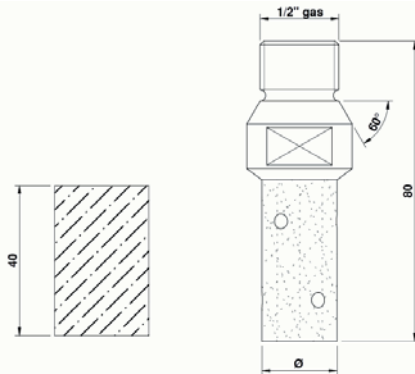
Z30



FUNCTION	POSITION	Ø mm	ITEM CODE
Profiling	pos. 1	20	01050325U109
Honing	pos. 2	20	01050325U209
Finishing	pos. 3	20	01050325U309
Pre-polishing	pos. 4	20	0176Z30B0009
Polishing	pos. 5	20	0176Z30C0009
Final buff	pos. 6	20	0176Z30A0009

1/2" GAS M connection. Other supports upon request

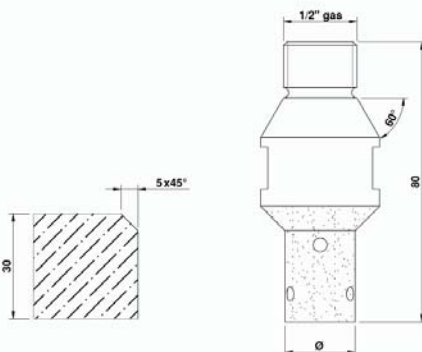
Z40



FUNCTION	POSITION	Ø mm	ITEM CODE
Profiling	pos. 1	20	01050355U109
Honing	pos. 2	20	01050355U209
Finishing	pos. 3	20	01050355U309
Pre-polishing	pos. 4	20	0176Z40B0009
Polishing	pos. 5	20	0176Z40C0009
Final buff	pos. 6	20	0176Z40A0009

1/2" GAS M connection. Other supports upon request

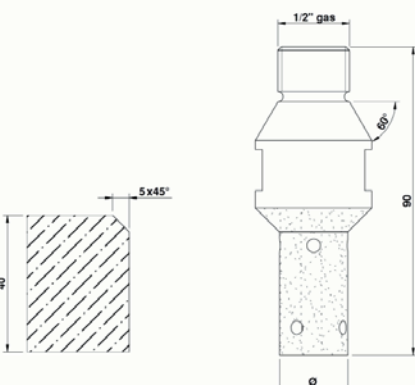
ZX30



FUNCTION	POSITION	Ø mm	ITEM CODE
Profiling	pos. 1	20	01050369U109
Honing	pos. 2	20	01050369U209
Finishing	pos. 3	20	01050369U309
Pre-polishing	pos. 4	20	0176Z30B00X9
Polishing	pos. 5	20	0176Z30C00X9
Final buff	pos. 6	20	0176Z30A00X9

1/2" GAS M connection. Other supports upon request

ZX40



FUNCTION	POSITION	Ø mm	ITEM CODE
Profiling	pos. 1	20	01050365U109
Honing	pos. 2	20	01050365U209
Finishing	pos. 3	20	01050365U309
Pre-polishing	pos. 4	20	0176Z40B00X9
Polishing	pos. 5	20	0176Z40C00X9
Final buff	pos. 6	20	0176Z40A00X9

1/2" GAS M connection. Other supports upon request